

31609000313 1126



**Learning
Resources®**

LER 9162

ages **3+**
años
ans
jahre

grades PreK+

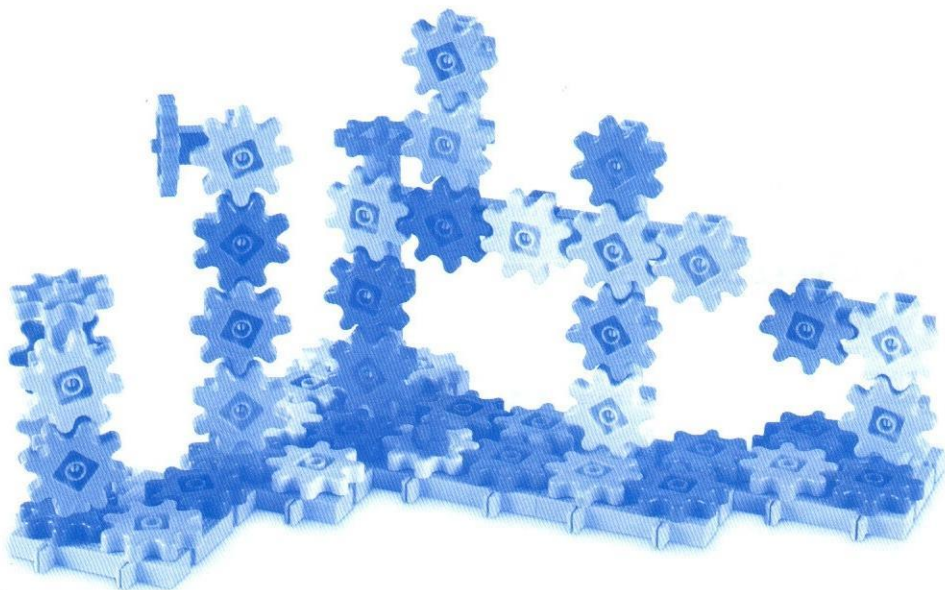
STEM



100-Piece

Deluxe **Building Set**

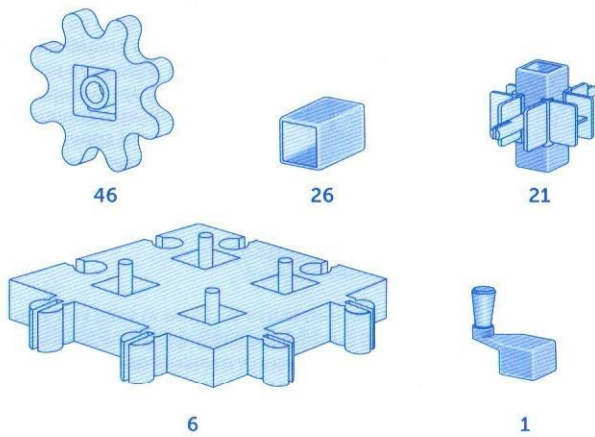
Gears! Gears! Gears!® Espectacular set de construcción de 100 piezas
Jeu de construction de 100 pièces Deluxe Gears! Gears! Gears!®
Gears! Gears! Gears!® 100-teiliges Deluxe-Bauset



Activity Guide

Guía de actividades • Guide d'activités • Spielvorschläge

 **WARNING:**
CHOKING HAZARD - Small parts.
Not for children under 3 years.



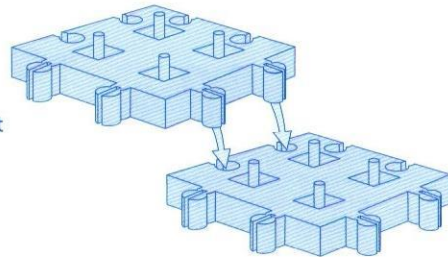
Create Worlds of Spinning Fun!

Introduce children to construction and movement with this colorful set of spinning gears and mix-and-match building pieces. Get started with the **Building Basics**, or jump right in and construct your own design—the choice is yours! When you build with gears, there are no limits, only the possibilities powered by imagination. Where will yours take you?

BUILDING BASICS

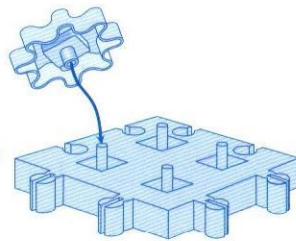
Build a Base

Attach bases together by sliding the side pegs into the slots. There are many different ways to arrange the bases: rows, pyramids, zigzags, and more!



Add Gears

Line up the center hole of a gear with the top peg of a base, and pop it on! When placed correctly, gears should easily spin both ways with a tiny push. Attach more gears, making sure the “teeth” of all the gears mesh.



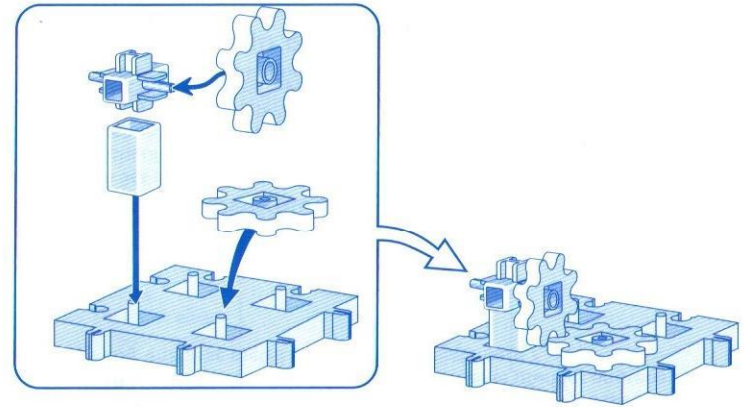
Get Things Moving

Turn the crank to start everything moving. The crank works best if placed flat on a gear that is attached to a base, and not a vertical structure.



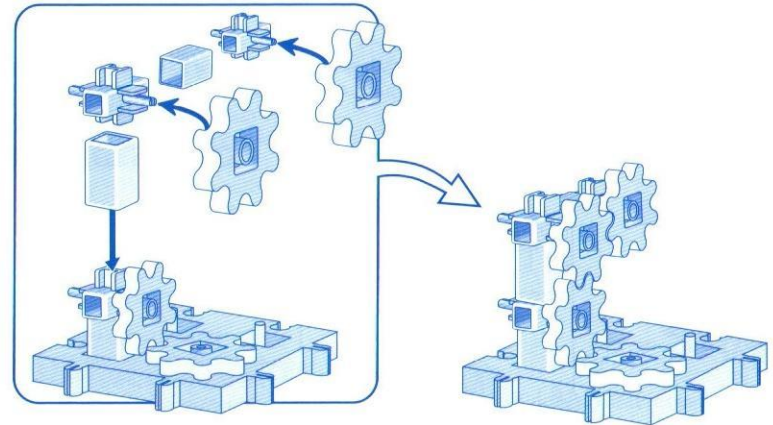
Going Up

Begin vertical structures by placing a pillar into the square hole on a base. Then, add a six-way axle and attach gears to the axle, making sure the “teeth” mesh at a right angle with the gear on the base. The gear on the axle should spin when you turn the gear on the base.



Up and Over

Continue to build up by adding a pillar to the top of the six-way axle and attaching another six-way axle. Add a pillar to the side of a six-way axle to build horizontally.



EX-GEAR-IMENTS!

The following EX-GEAR-IMENTS encourage children to notice interesting movements and connections, and to explore the fascinating action that can be created with gears.

How Does It Spin?

Place two gears next to each other on a base. Spin the gears and watch them move. Are the gears spinning in the same direction?

End to End

Connect the bases so that they are in a straight line. Make a long row of connecting gears going from one end of the bases to the other. Spin the first gear at one end very slowly. Does the last gear start spinning right away?